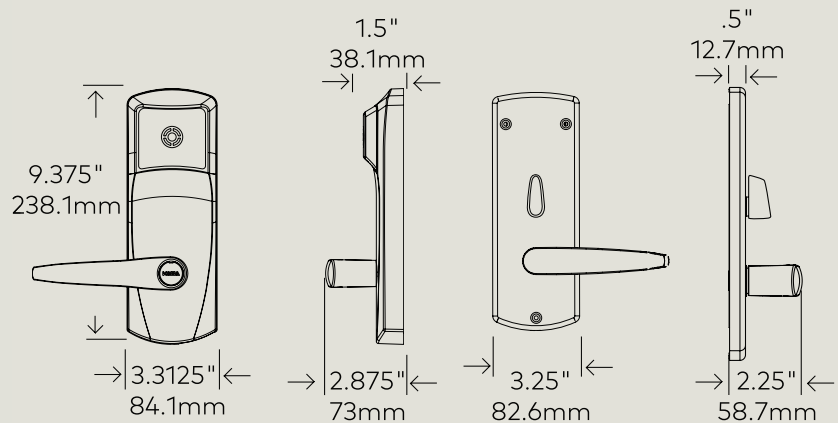


# Saflok RT™ RFID

dormakaba 



## Overview

The Saflok RT is a rugged full-body electronic lock that offers RFID technology to enhance guest convenience and improve operational efficiency. This durable lock is easy to use and works with Saflok access management software.

## Mobile Access

This Bluetooth Low Energy (BLE) capable lock can operate using the dormakaba Mobile Access Solutions.

## Applications

- Suitable for small to very large scale hotels
- Easily replaces existing mechanical or electronic door locks throughout a facility
- Access control for guest rooms, common areas as well as back-of-house

## Security Features

- High security and tamperproof design
- 1" solid deadbolt (optional auto deadbolt)
- Staff monitoring (Keycard Audits)
- Emergency access: Emergency keycard, mechanical key and electronic override


## Low Maintenance

- Batteries last up to 3 years
- Low battery indicator alerts staff
- Lock programming and audit records are not erased during battery replacement
- Operates with a completely sealed contactless reader
- Wear resistant construction and finish

## Access Management Software

The RT lock is supported by dormakaba's robust access management software solution that features an array of access control workflows for both guest and staff access. Optionally, choose dormakaba's online access management solution for superior control and monitoring.

## Mechanical Features

Description	Heavy duty electronic lockset (mortise or cylindrical) with clutch mechanism and built-in contactless RFID reader	
Handing	Left or Right factory handed mortise, field reversible handing (lever and mortise)	
Lever	ADA compliant, outside lever free to rotate upward and downward in locked mode Lever clearance (space from end of lever to door) Long Lever 3/8" (9.5mm) Short Lever 2" (51mm) Elevon & Gala Levers 2 9/32" (58mm)	
Concealed Key Override (optional)	- Saflok KIK Core (keyed-alike, master keyed, recodable) - Best Small IC Adaptor	
Deadbolt	1" (25 mm) (for ASM mortise) or 2 1.4 mm (for ESM Mortise) solid metal, projected by inside thumbturn and retracted with the latch by the interior handle, emergency override or specific staff keycards. Optional auto deadbolt available	
Door Thickness	From 1 3/8" to 2 1/2" (35mm to 66mm)	
Shipping weight	8.5 lbs (3.8 kg)	
Housing Construction	Cast zinc alloy (outside housing levers and thumbturn), stainless steel inside housing	
Standard Finishes	Satin chrome, satin brass and supreme finish for ocean front applications	
Standard Backset	2 3/4" (70mm) backset, 2 3/8" (60mm) backset also available for cylindrical lock	
Locking Options	ANSI lock case with 1 1/4" or 1" lock front mortise Optional automatic deadbolt European lock case mortise (20 x 165 mm) with round (20 or 23 x 235 mm) or square (20 x 235 mm) lock front mortise	
Online Configurations	Messenger Ready	DAJ mortise (ANSI lock case) Standard (stand alone) inside escutcheon
	Messenger Online	Lock controller board with Messenger capability DAJ mortise (ANSI lock case) Inside escutcheon equipped with Messenger module

## Mobile Access Options

BLE ready BLE enabled	Upgradable to BLE with BLE module End cap with BLE module included, no further upgrades needed
--------------------------	---

## Batteries

Alkaline - Three AA battery pack	Battery life is up to 3 years Low battery indicator: alerts staff that batteries need to be changed soon
-------------------------------------	---

## Lock Operation

Date/Time Stamp	Real-time; date and hours/minutes
Interrogation	Obtain key usage reports from the lock by using a handheld unit at the door, or increase efficiency by performing a remote Interrogation using Messenger (optional)
Pre-registered Keycards	Keys can be made up to ten days in advance without cancelling current or arriving guests
Keycard Expiration	Configurable expiration dates; can be automatically set for check out date or manually applied when making key during check in process.
Passage Mode	Set by authorized keycard or Messenger system. Can also be configured to perform an automated/pre-defined passage mode time.
Lockout Mode	Set by authorized keycard or Messenger system
Keycards Accepted	MIFARE Classic keycards (4 byte NUID)
Feedback	Light indicators in reader
Diagnostics	Light indicators and handheld display
Audit Trail	Up to 4,000 events
Disability Feature	RCU readers interface with automatic power operated doors for special openings
Privacy Override	Emergency keycards

## Certifications & Testing

Accessibility Standard	ADA compliant levers (Code of Federal Regulations 28 CFR Part 36 – 1994 "ADA Standards for Accessible Design")
BHMA/ANSI	Certified to be compliant with Grade One performance tests for "ANSI/BHMA A156.13-2005 Standard for Mortise Locks and Latches," and "ANSI/BHMA A156.25-2007 Standard for Electrified Locking Devices." (Only locks tested and approved by non-biased third-party test lab are allowed in the "BHMA Certified Products Directory" found at <a href="http://www.buildershardware.com">www.buildershardware.com</a> )
Fire Rating	Listed for pre-prepared manufactured doors and certified for retrofitting on existing doors by Underwriters Laboratories for use on fire doors having up to a three-hour rating. a. U.L. Certification: GWVW.R12071 "Accessories for Single-point Locks and Latches and Fire Exit Hardware." Evaluated in accordance with UL 10B and UL 10C. b. U.L. Listing: GYQS.R11247 "Electrically Controlled Single-point Locks and Latches." Evaluated in accordance with UL 10B and UL 10C. c. Also classified in accordance with Uniform Building Code Standard 7-2, "Fire Test of Door Assemblies" (1997)
Electronics	FCC Part 15 Class A and CE directive 89/336/EEC compliant
Environmental Operating Conditions	Indoor side: 32°F to 151°F (0°C to 66°C) Outdoor side: -31°F to 151°F (-35°C to 66°C) 0% to 85% non-condensing humidity at 86°F (30°C)

## Warranty

Standard Factory Warranty	Two years
Support Programs	dormakaba Service Plans (Platinum, Gold, Silver)